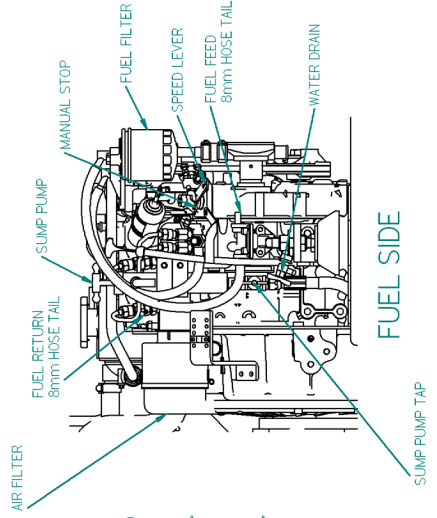
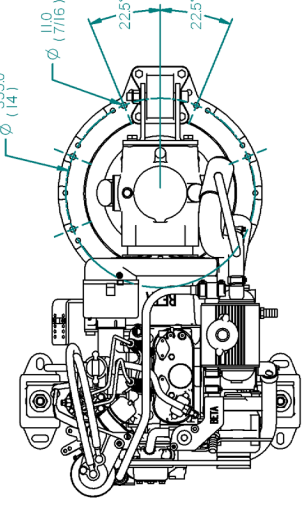
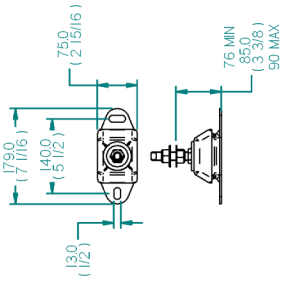
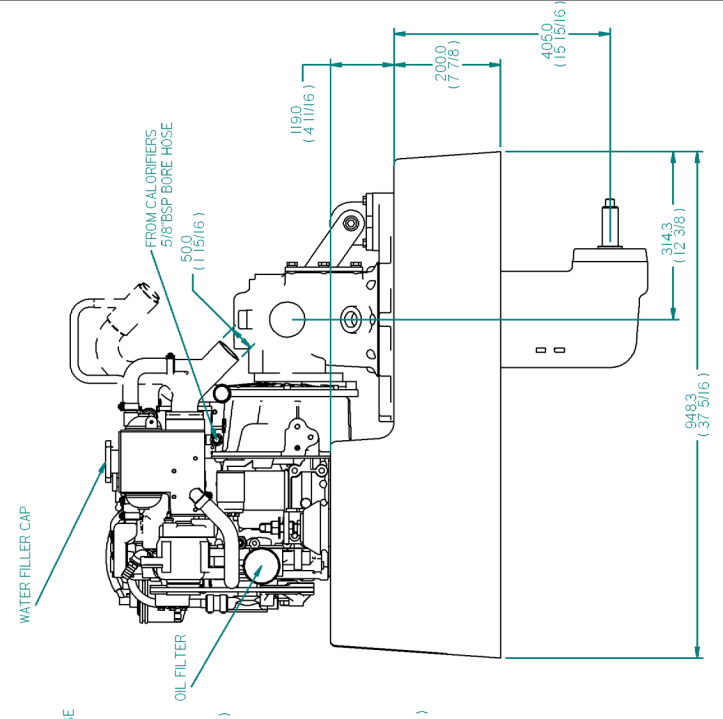
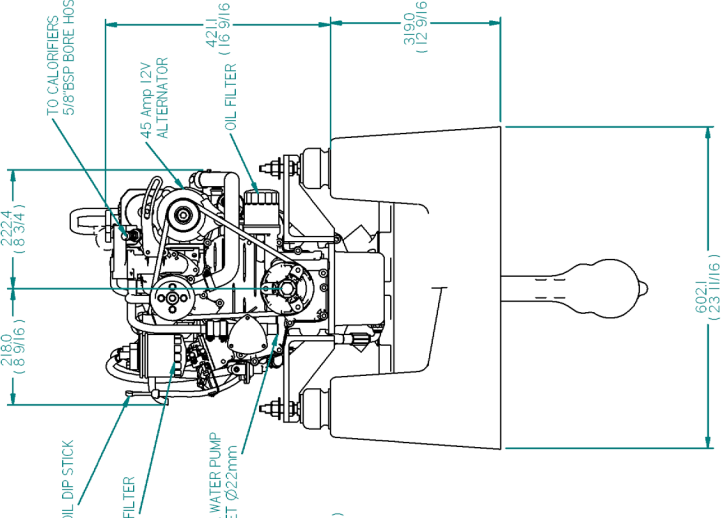
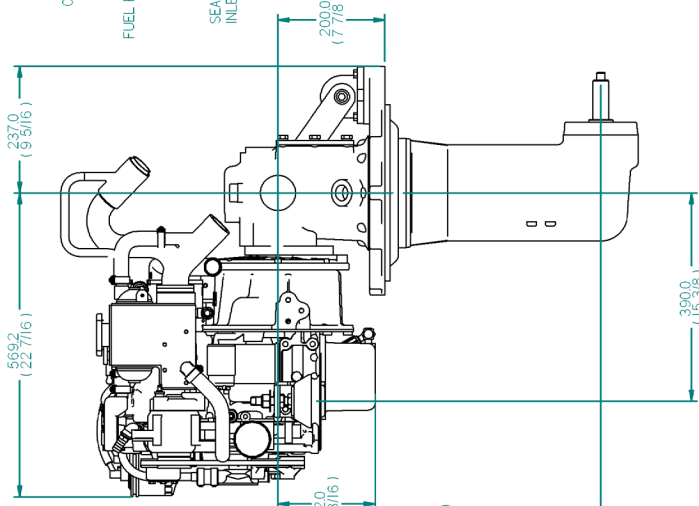
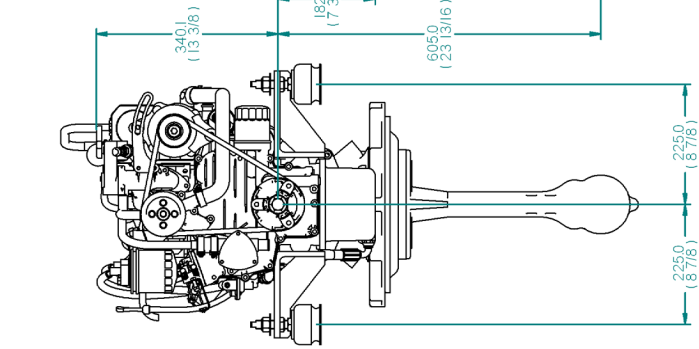
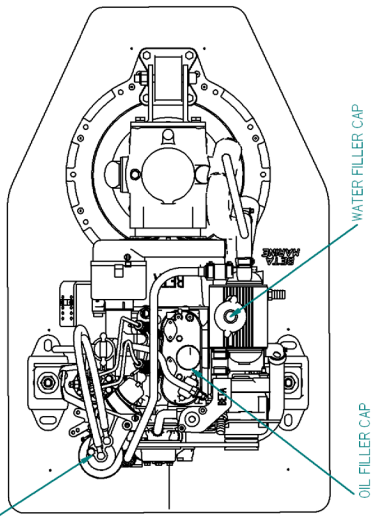


FLEXIBLE MOUNT



FUEL SIDE



WITH BASE

WITHOUT BASE

REV	DESCRIPTION	DATE	APPD	DRAWN

NOTES

TITLE: **BETA 14 HEAT EXCHANGE SEAPROP 60**

DIMENSIONS IN MM (INCH) DO NOT SCALE

PART FILE NAME: BETA14 HE HURTH SEAPROP60 100.08965 .asm

DRAWN BY: **TW** AS

CHECKED BY: **LT**

BETA MARINE LTD.
DAYVALE
WATFORD,
Herts.
SG13 7AD, UK

REV: **01**

DWG NO: **100-08965**

SCALE: **1 of 1**

PAGE: **1**

DATE: **19/05/2010**

TEL: (01452) 724492 FAX: (01452) 728916