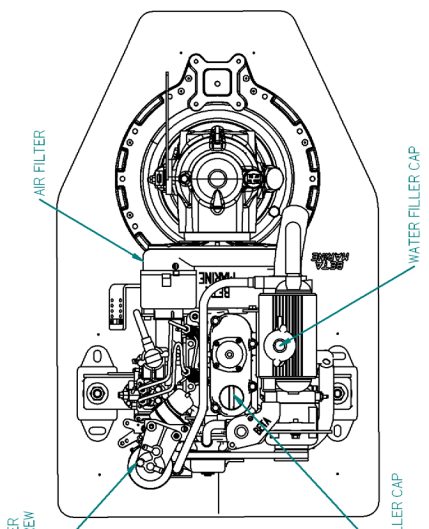
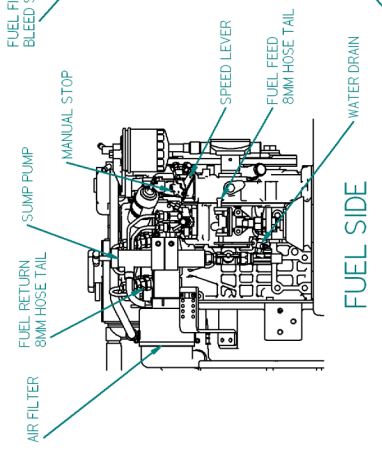
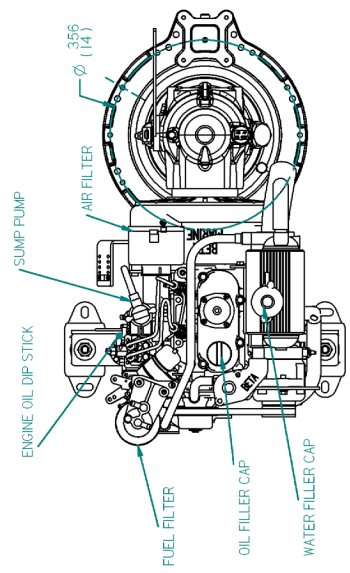
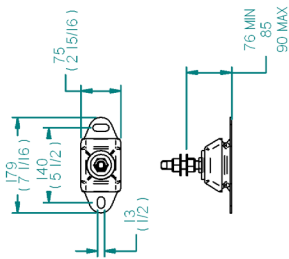
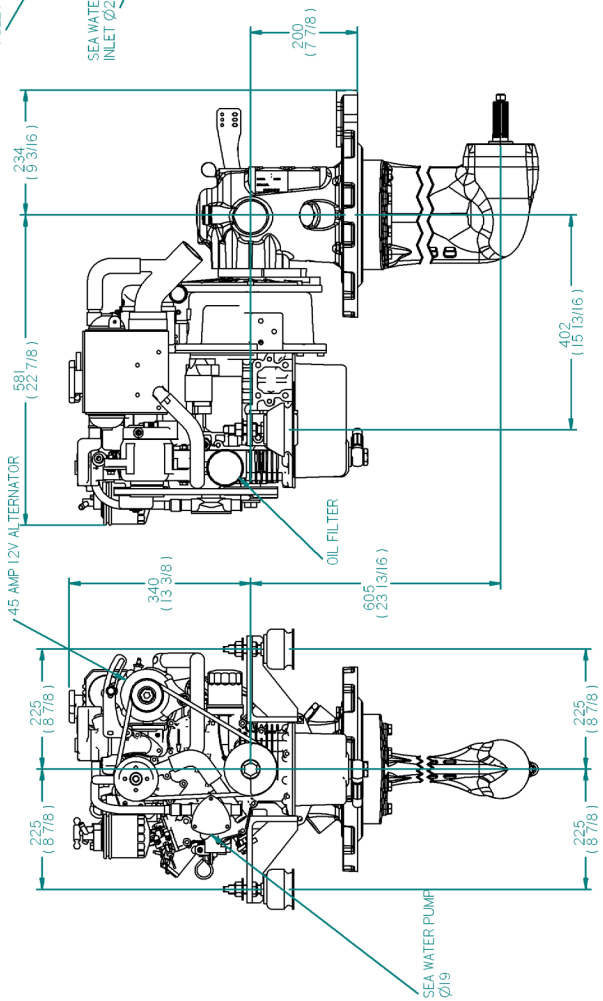
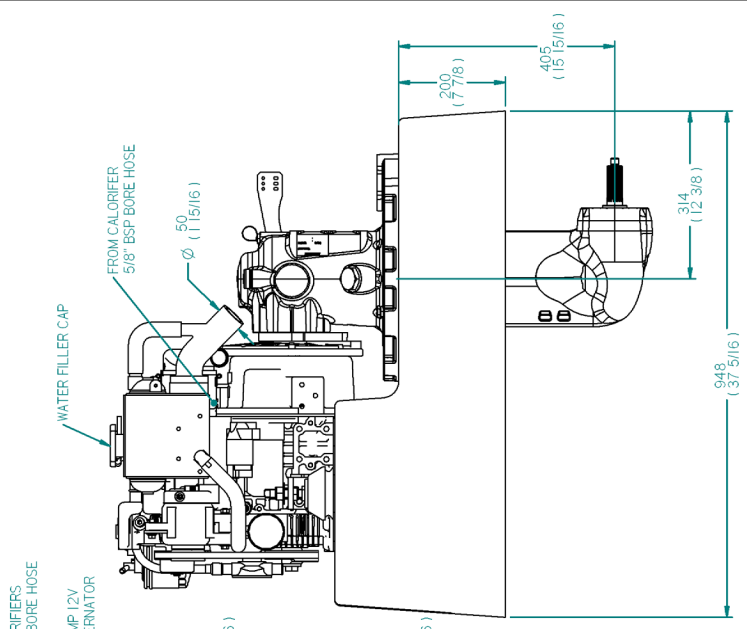
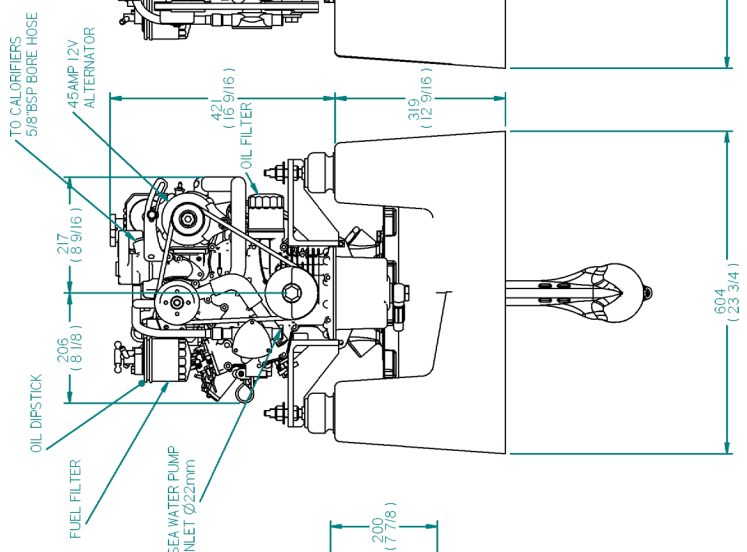


FLEXIBLE MOUNT



FUEL SIDE



| REV | DESCRIPTION | DATE | APPD | DRAWN |
|-----|-------------|------|------|-------|
| 01 | | | | |
| | | | | |
| | | | | |
| | | | | |
| | | | | |
| | | | | |
| | | | | |
| | | | | |
| | | | | |
| | | | | |

NOTES

TITLE: **BETA16 HEAT EXCHANGE SEA PROP 60**

DIMENSIONS IN MM (INCH) DO NOT SCALE

PART FILE NAME: BETA16 HE SEA PROP 60.asm

BETA MARINE LTD. DAYWAY WATERWHEELS, GLOUCESTERS GL2 2AD, UK

TEL: (01452) 724492 FAX: (01452) 728916

DRAWN BY: TW AS

CHECKED BY: LT

SCALE: NTS

PAGE: 1 of 1

REV: 01

DATE: 15/06/2010