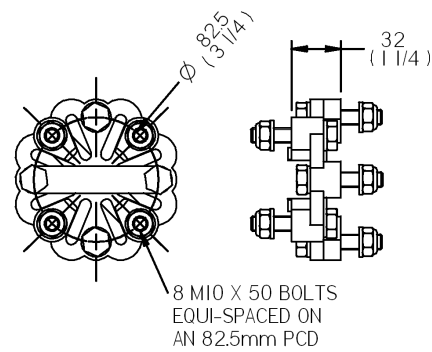
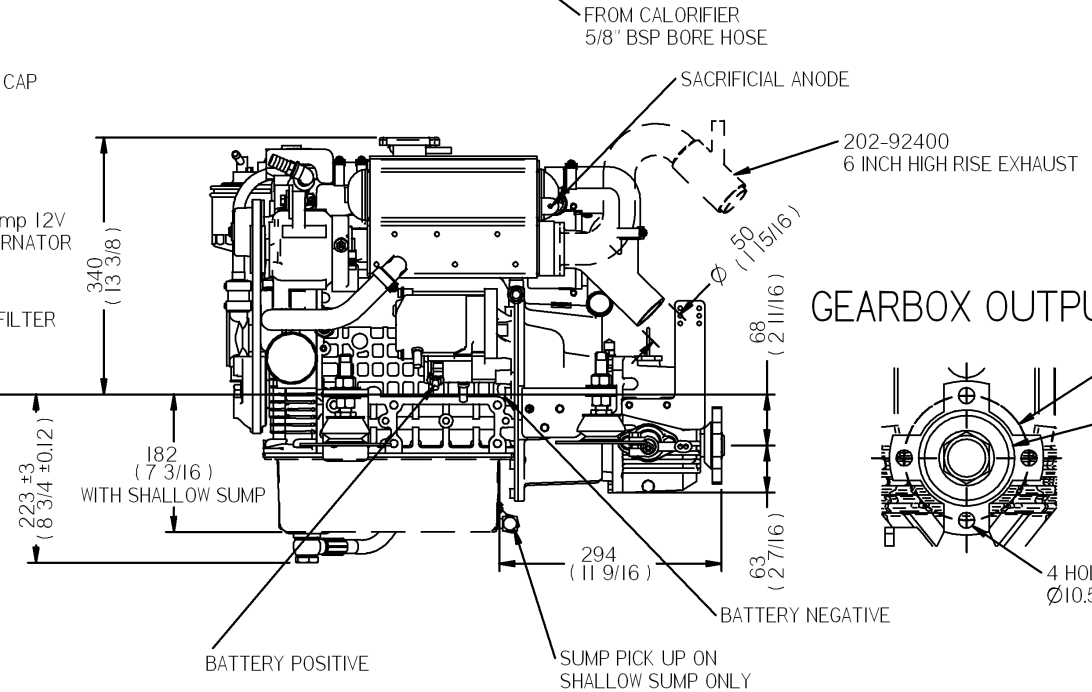
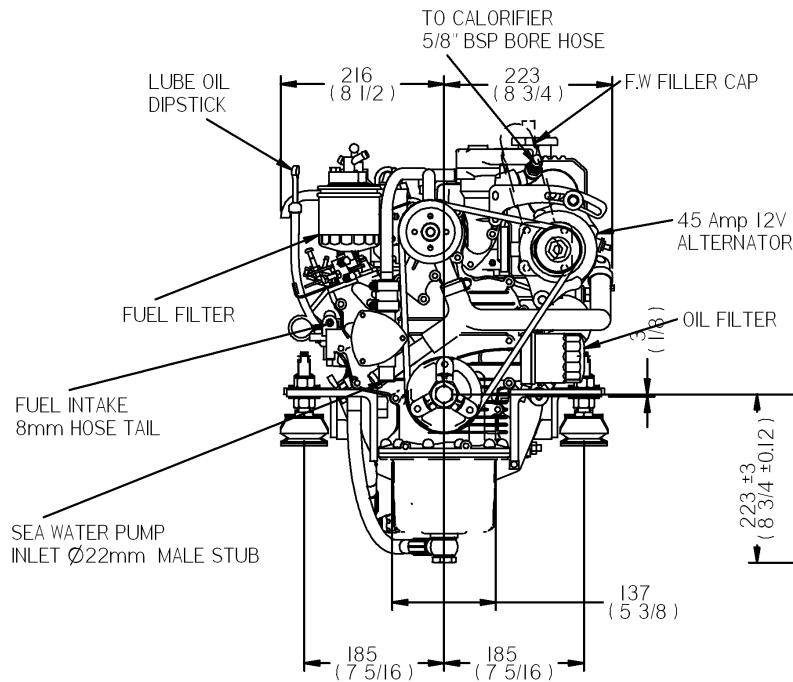
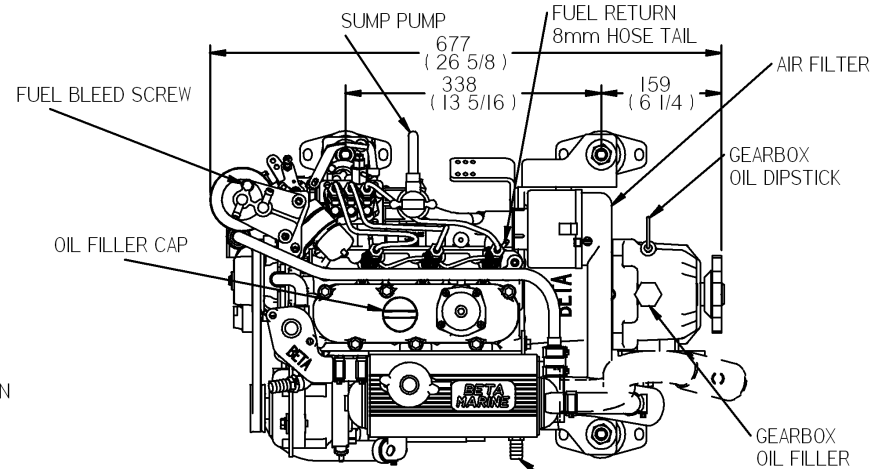
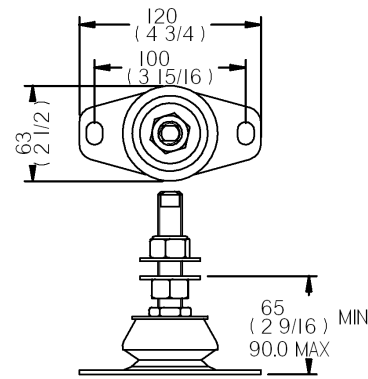


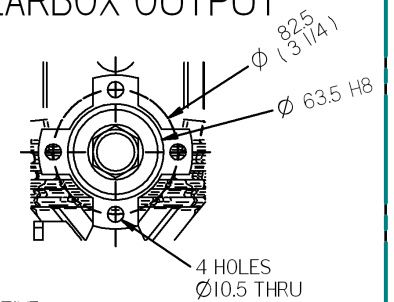
FLEXIBLE COUPLING DETAILS



FLEXIBLE MOUNT DETAILS



GEARBOX OUTPUT



REV	DESCRIPTION	DATE	APP'D	DRAWN	NOTES
01	CALORIFIERS AND SHALLOW SUMP	19/01/06		TW	

TITLE **BETA 25 (BD902) HEAT EXCHNAGE
TMC40 GEARBOX**

DIMENSIONS IN MM (INCH)
DO NOT SCALE

BETA MARINE
TEL +44 (0)1452 723492 FAX +44 (0)1452 883742

BETA MARINE LTD.
DAVY WAY, WATERWELLS,
QUEDGELEY, GLOUCESTER
GL2 2AD UK

DRAWN BY: timw
CHECKED BY: -

SIZE A4
SCALE

DWG NO. 100-06495
PAGE 1 of 1

REV 01
DATE 12/08/2009