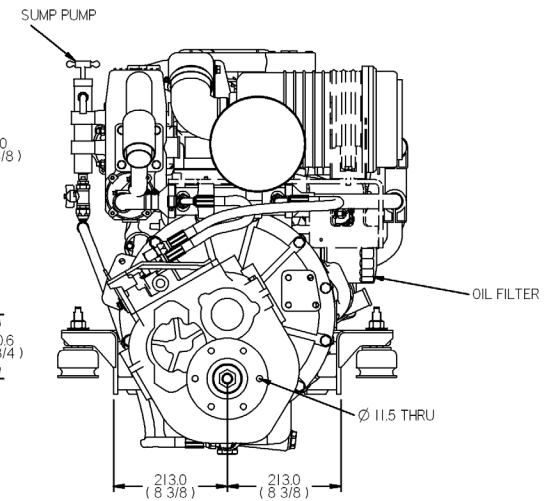
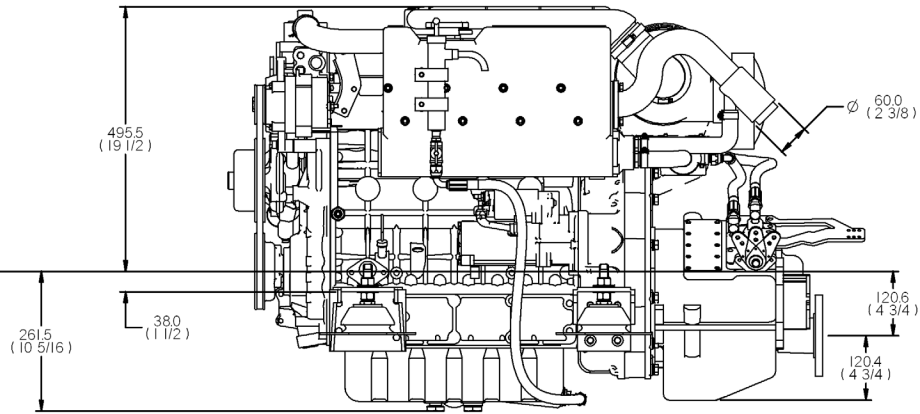
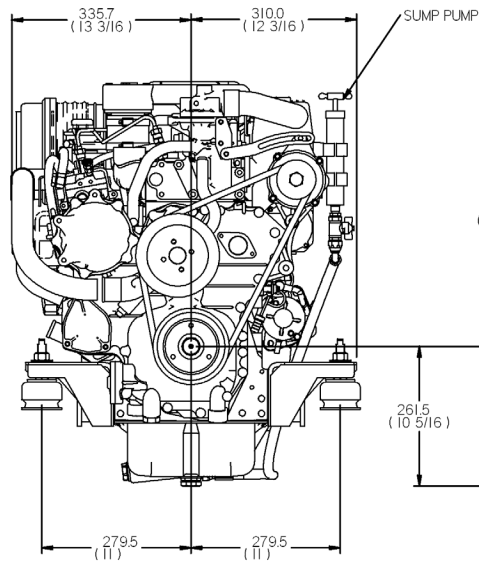
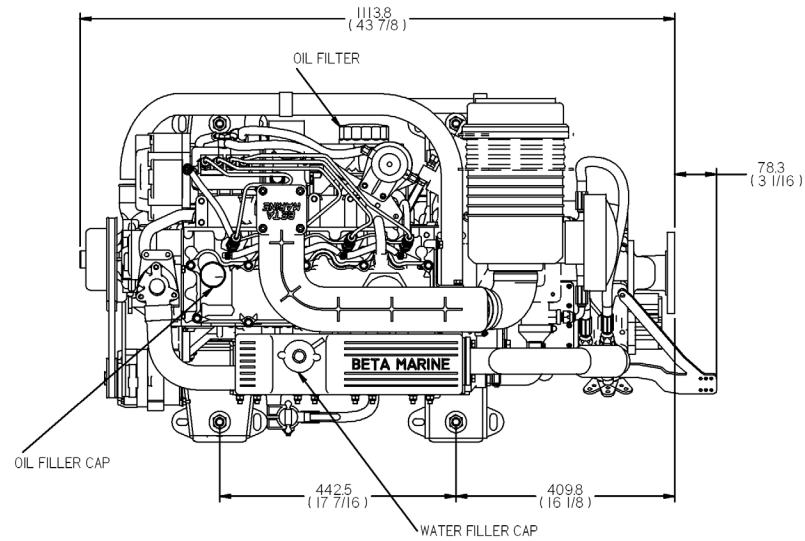
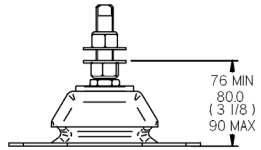
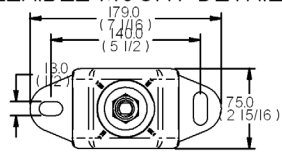


FLEXIBLE MOUNT DETAILS



REV	DESCRIPTION	DATE	APPD	DRAWN
01	LOW AIR CLEANER AS STANDARD	15/02/10	LT	TW

NOTES		TITLE: BETA75-90 HE PRM500			
DIMENSIONS IN MM (INCH) DO NOT SCALE		PART FILE NAME: BV3300 HE PRM500.asm		DRAWN BY: TW	
		BETA MARINE LTD. DAVVY WAY, WATERWELLS, QUEDGELEY, GLOUCESTER, GL2 2AD, UK		SIZE: A3	DWG NO: 100-08422
		CHECKED BY: LT		SCALE: NTS	PAGE: 1 of 1
TEL: (01452) 723492		FAX: (01452) 729916		DATE: 12/08/2009	REV: 01