
BETA MARINE

Mid Diesel Engine Range



**Heat Exchanger Cooled 43 to 150 hp
All the power you need**

Prices and specifications are subject to amendment without notice. Information given is subject to our current Conditions of Tender and Sale.

Why Beta?

Because:

- We have a superb heat exchanger cooled engine range especially engineered for the yachtsman and work boats at an affordable price, and with a 3 year 'self service' warranty.
- With our Dealer network and dedicated seagoing team, we have probably installed a Beta engine in a yacht similar to yours. Ask for details!
- Special Engine Feet option - designed and manufactured to suit your engine bearers.
- Low carbon foot print - these clean engines meet all current and projected exhaust emission regulations - both **RCD** (Recreational Craft Directive 94/25/EC as amended by 2003/44/EC) and **EPA** (U.S Environmental Protection Agency) exhaust emission compliance.
- Our Mid engine range is based upon the most technically advanced Kubota diesels that give you very smooth, quiet power, right through the speed range. The Beta 150 is very similar, based on an IVECO diesel.
- Easy maintenance with mounted sump pump and optional polyvee belt & pulley drive transmission with our high output alternators.
- Beta Engines are built in Gloucestershire, U.K.
- See our website for more details:
www.betamarine.co.uk

Beta's Gloucester manufacturing facility

Seagoing Specifications

Beta Marine's Seagoing engines are:

- Heat Exchanger cooled, all naturally aspirated (except Beta 105 - turbocharged) marine diesel engines based on Kubota.
- Multi cylinder with high inertia flywheel for smooth running.
- Three vortex combustion for quiet running, low emissions and excellent fuel consumption with indirect injection up to and including 75 hp.
- Quiet gear driven camshaft for engine reliability and easy servicing - no timing chains or tooth belts to replace.
- Water cooled exhaust manifold.
- Battery charging alternator - 65 amps, giving full power at cruising speed with 12 volt electric starting as standard.
- Heater plugs for cold start below 5°C.
- Direct injection - Beta 90 to Beta 150.
- Standard "ABV" Control Panel.
- Heavy duty feet and flexible mountings.
- Technodrive, or PRM, or ZF gearbox with 2:1 reduction ratio as standard. Output rotation is clockwise in ahead, viewed from gearbox end.
- Fuel filter and mechanical fuel lift pump.
- Lubricating oil filter and sump drain pump.
- 'Morse' type engine speed and gearbox control cable support and end fittings.
- Installation angles up to 15° maximum when static and 25° when heeling (Kubota).

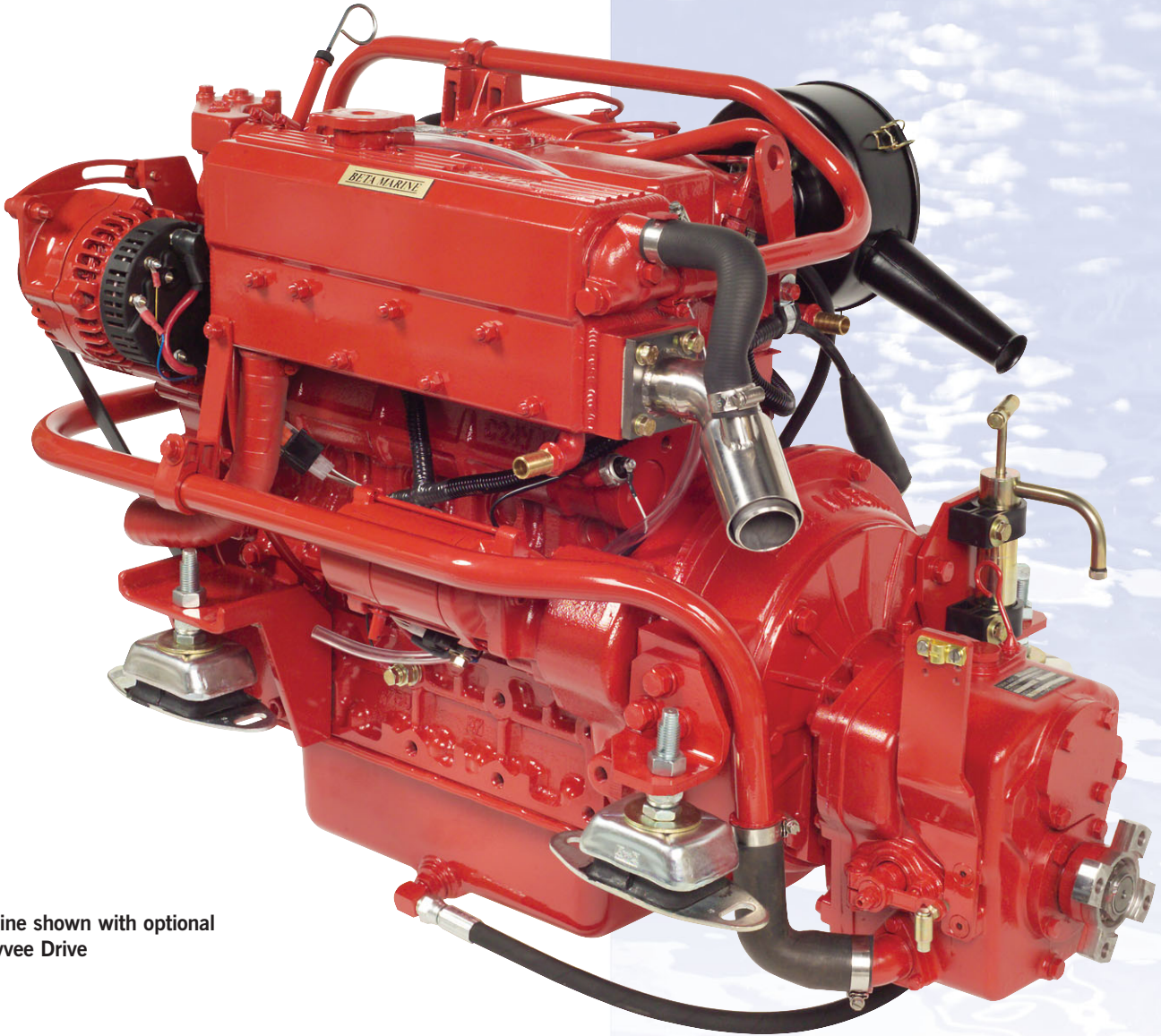
Seagoing Options

- Control Panel ABVW, B, Deluxe 'C' options with gauges and alarms
 - Down angle and Vee Drive gearbox options.
 - Calorifier connections for hot water systems.
 - Larger 120 amp alternator and possible second alternator 12 volt x 150 amp or 24 volt plus Travel Power 3.5 kVA or 5 kVA - 230 Volt - options.
 - Hydraulic Propulsion package and/or bow thrusters.
- Many more – see our price list!

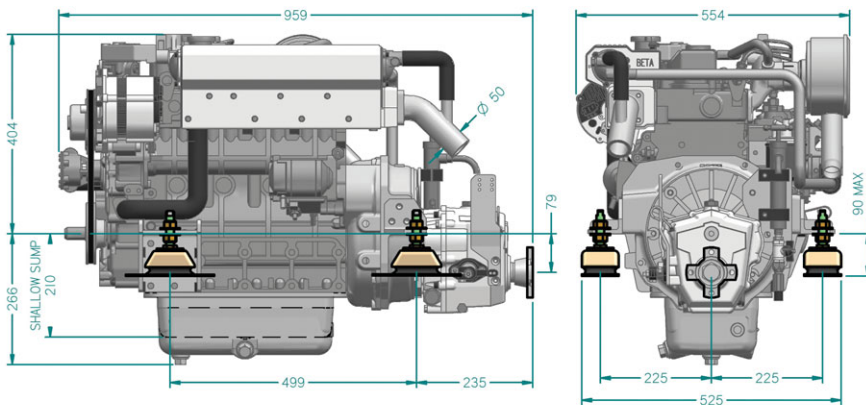


Beta 43

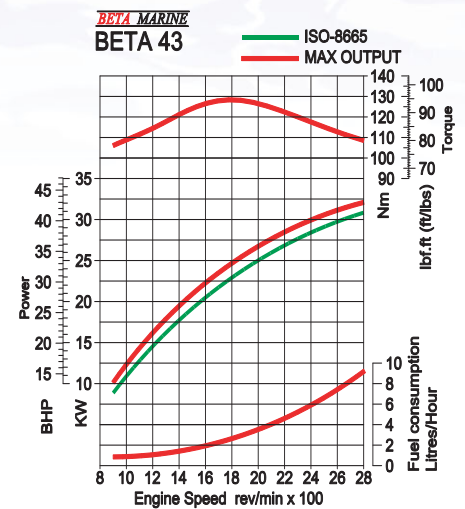
4 Cylinders - 1999cc - 43hp max at 2,800 rev/min - 253Kg



Engine shown with optional Polyvee Drive



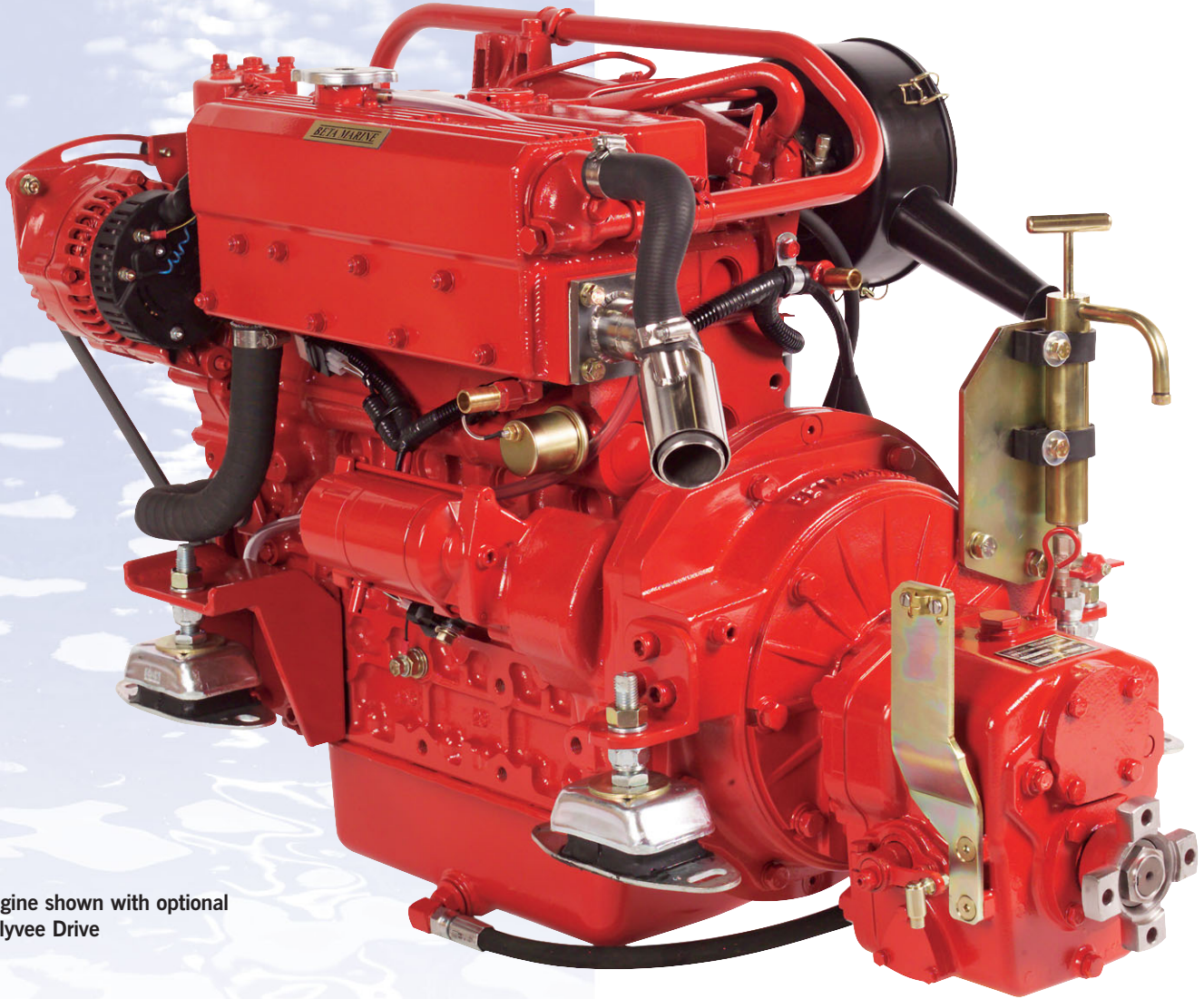
These are typical dimensions: please ask Beta Marine for an accurate drawing if required



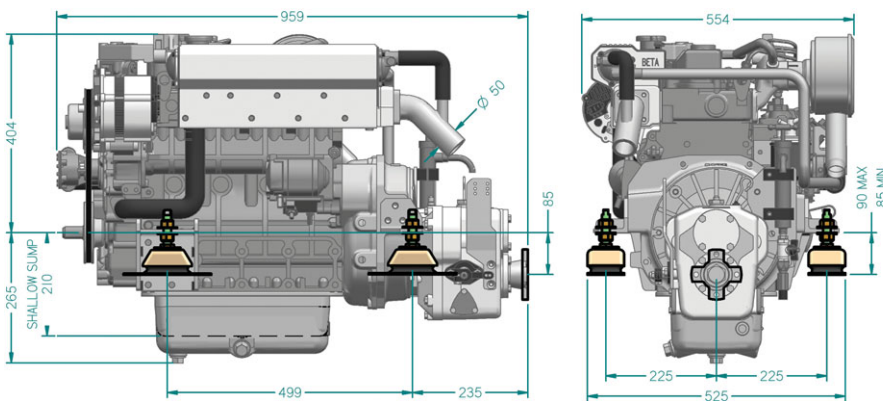
Fuel Consumption
Based on theoretical propeller loading
- matched at full speed

Beta 50

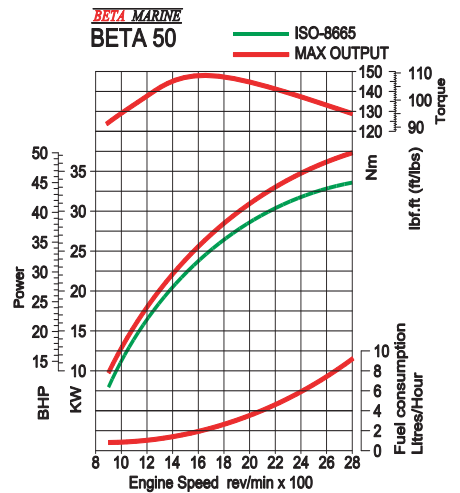
4 Cylinders - 2197cc - 50hp max at 2,800 rev/min - 260Kg



Engine shown with optional Polyvee Drive



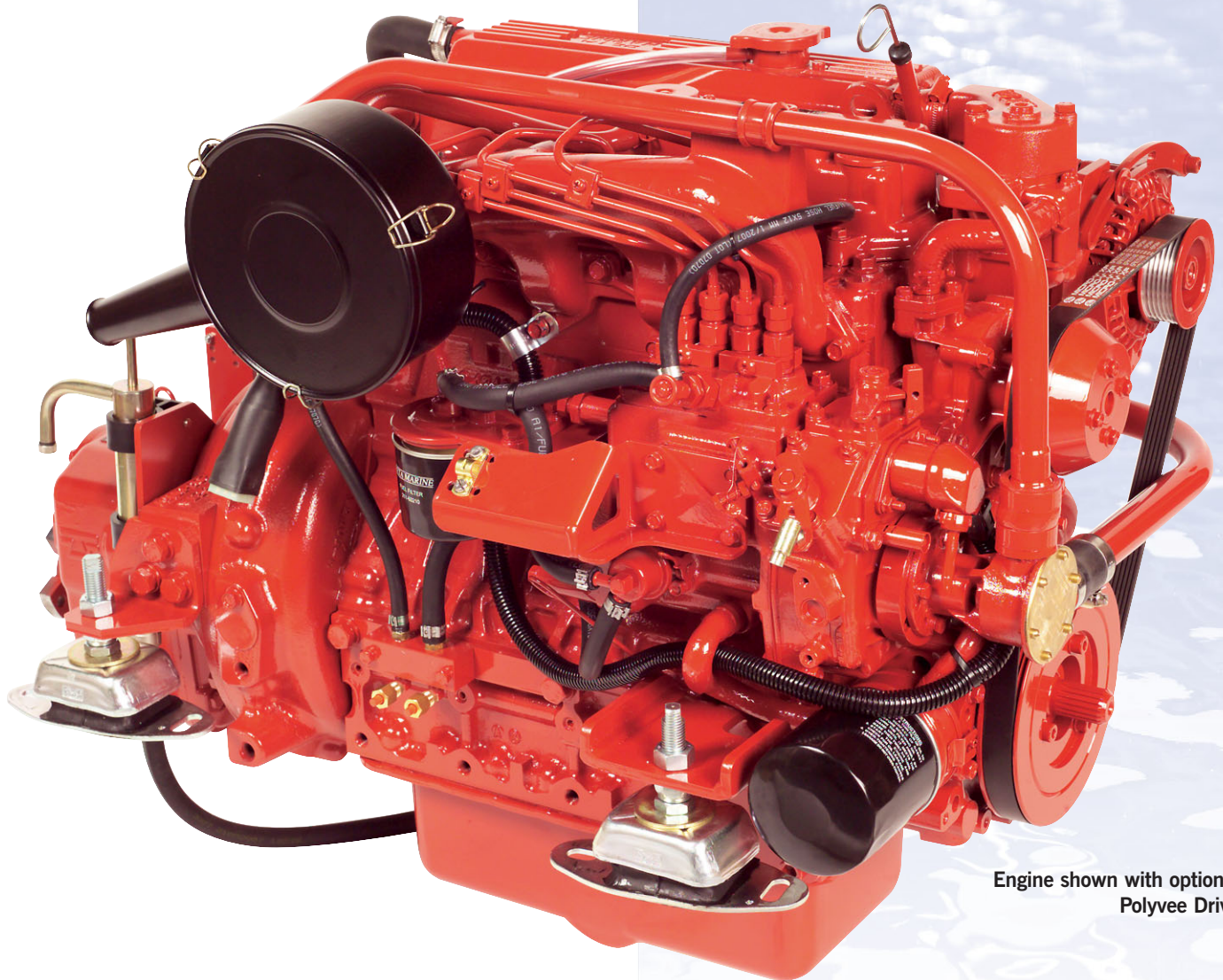
These are typical dimensions: please ask Beta Marine for an accurate drawing if required



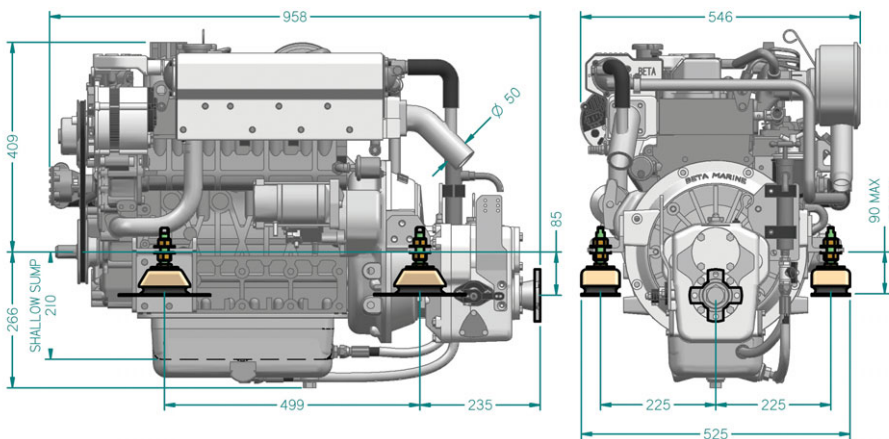
Fuel Consumption
Based on theoretical propeller loading
- matched at full speed

Beta 60

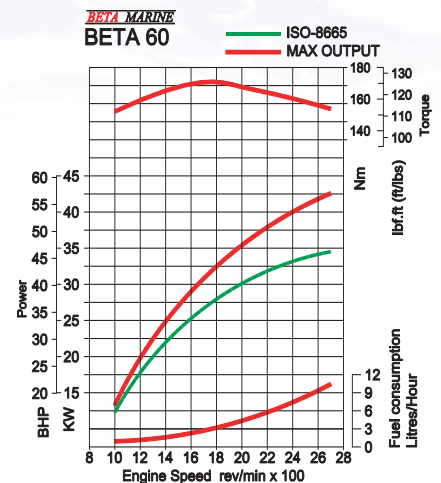
4 Cylinders - 2434cc - 56hp max at 2,700 rev/min - 287Kg



Engine shown with optional Polyvee Drive



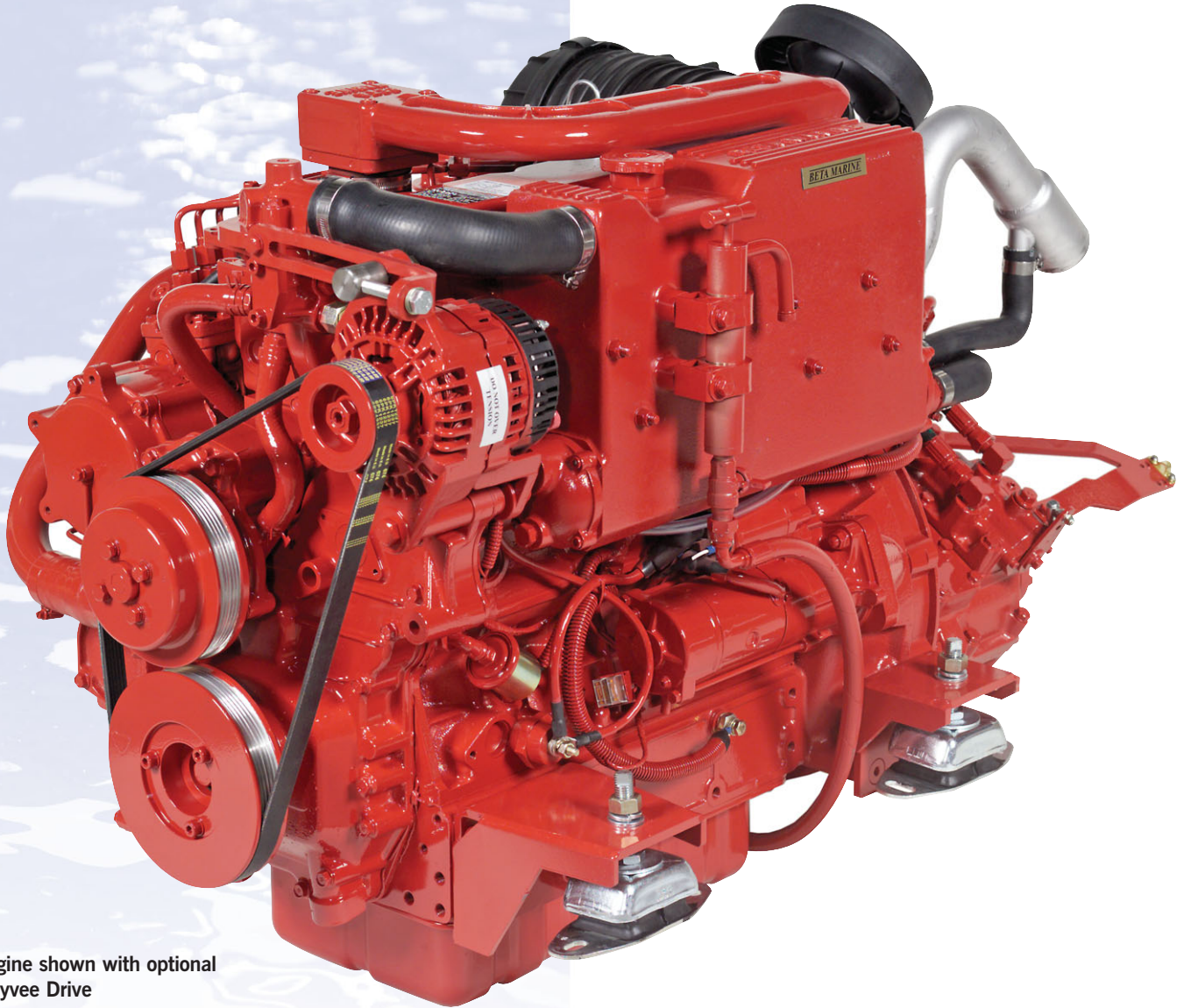
These are typical dimensions: please ask Beta Marine for an accurate drawing if required



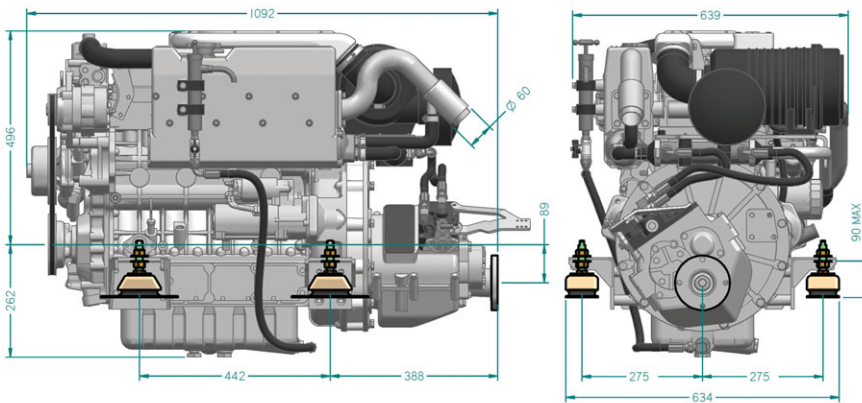
Fuel Consumption
Based on theoretical propeller loading
- matched at full speed

Beta 75

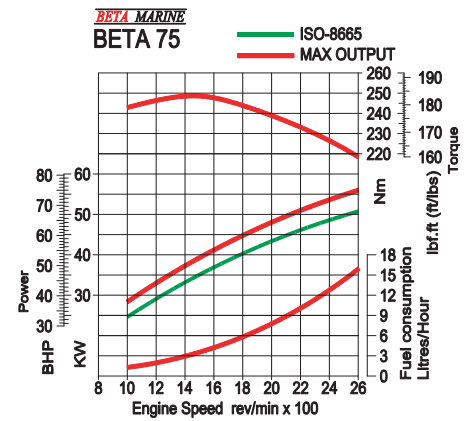
4 Cylinders - 3620cc - 75hp max at 2,600 rev/min - 414Kg



Engine shown with optional Polyvee Drive



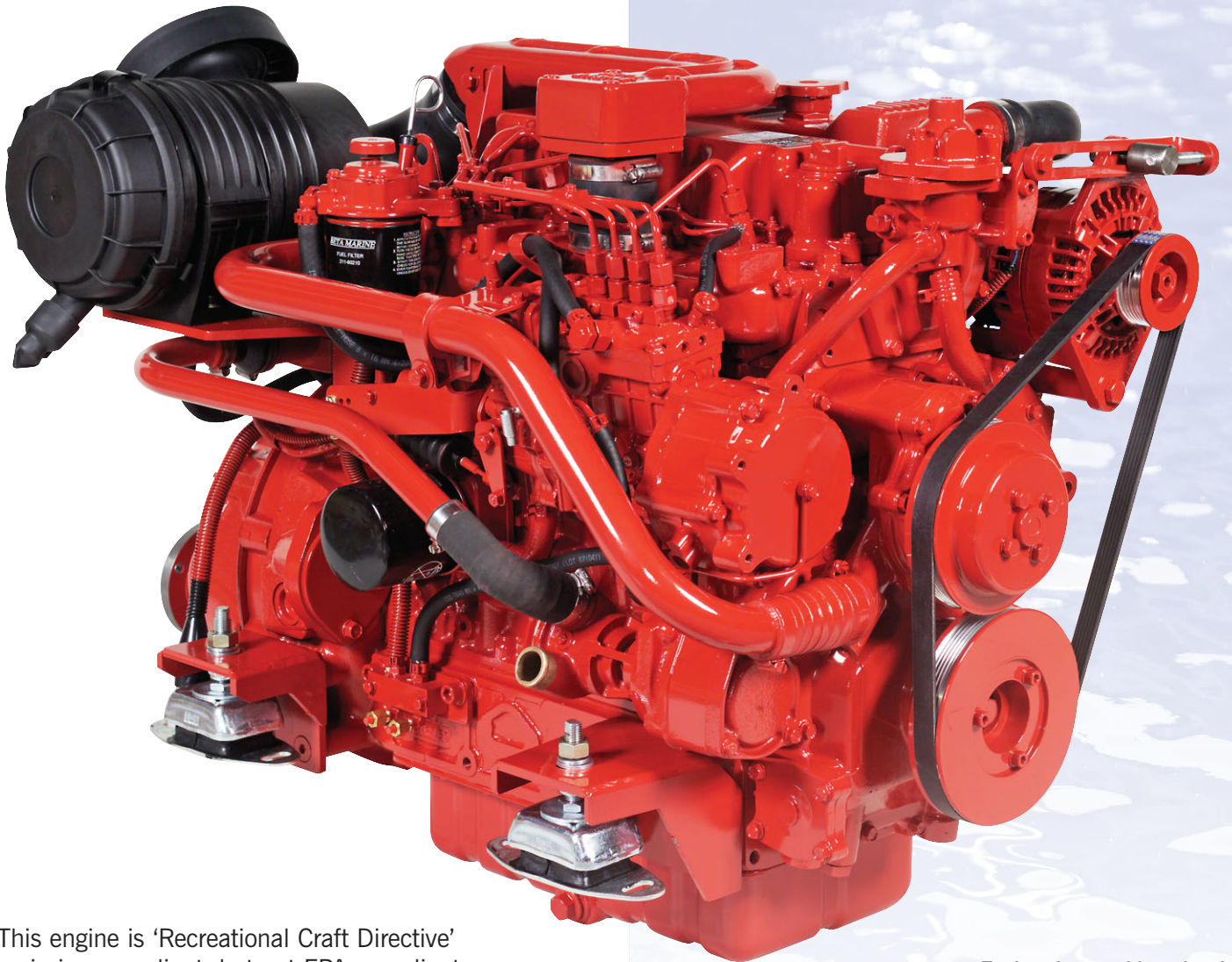
These are typical dimensions: please ask Beta Marine for an accurate drawing if required



Fuel Consumption
Based on theoretical propeller loading
- matched at full speed

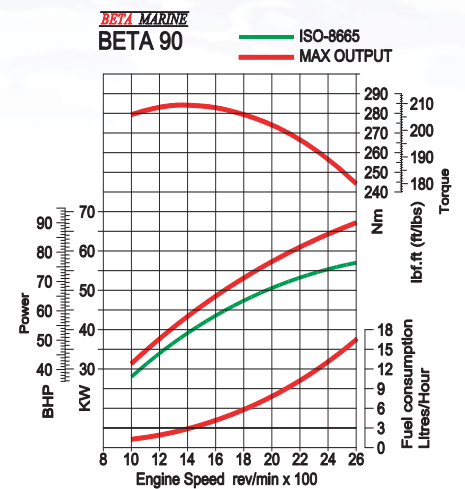
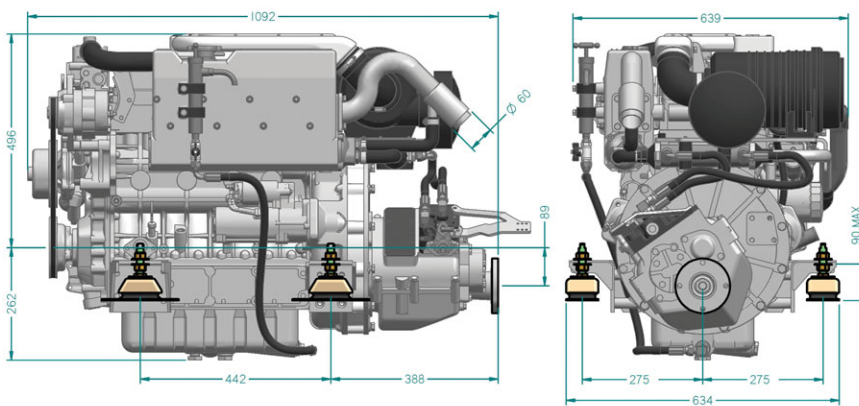
Beta 90

4 Cylinders - 3769cc - 90hp max at 2,600 rev/min - 425Kg



This engine is 'Recreational Craft Directive' emission compliant, but not EPA compliant.

Engine shown with optional Polyvee Drive

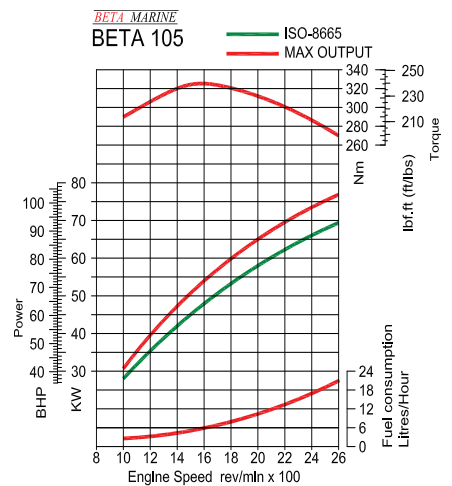
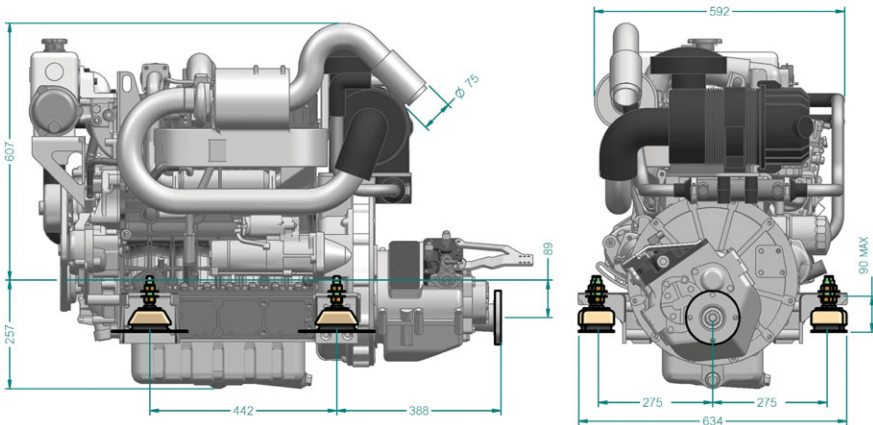


These are typical dimensions: please ask Beta Marine for an accurate drawing if required

Fuel Consumption
Based on theoretical propeller loading
- matched at full speed

Beta 105

4 Cylinders - 3769cc - 99bhp max at 2,600 rev/min - 425Kg

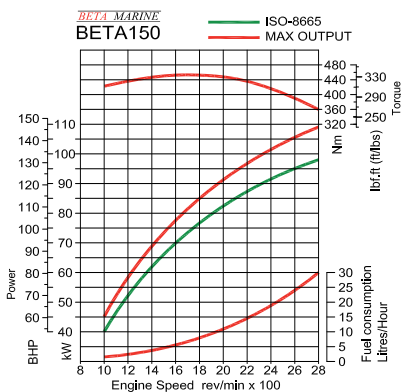
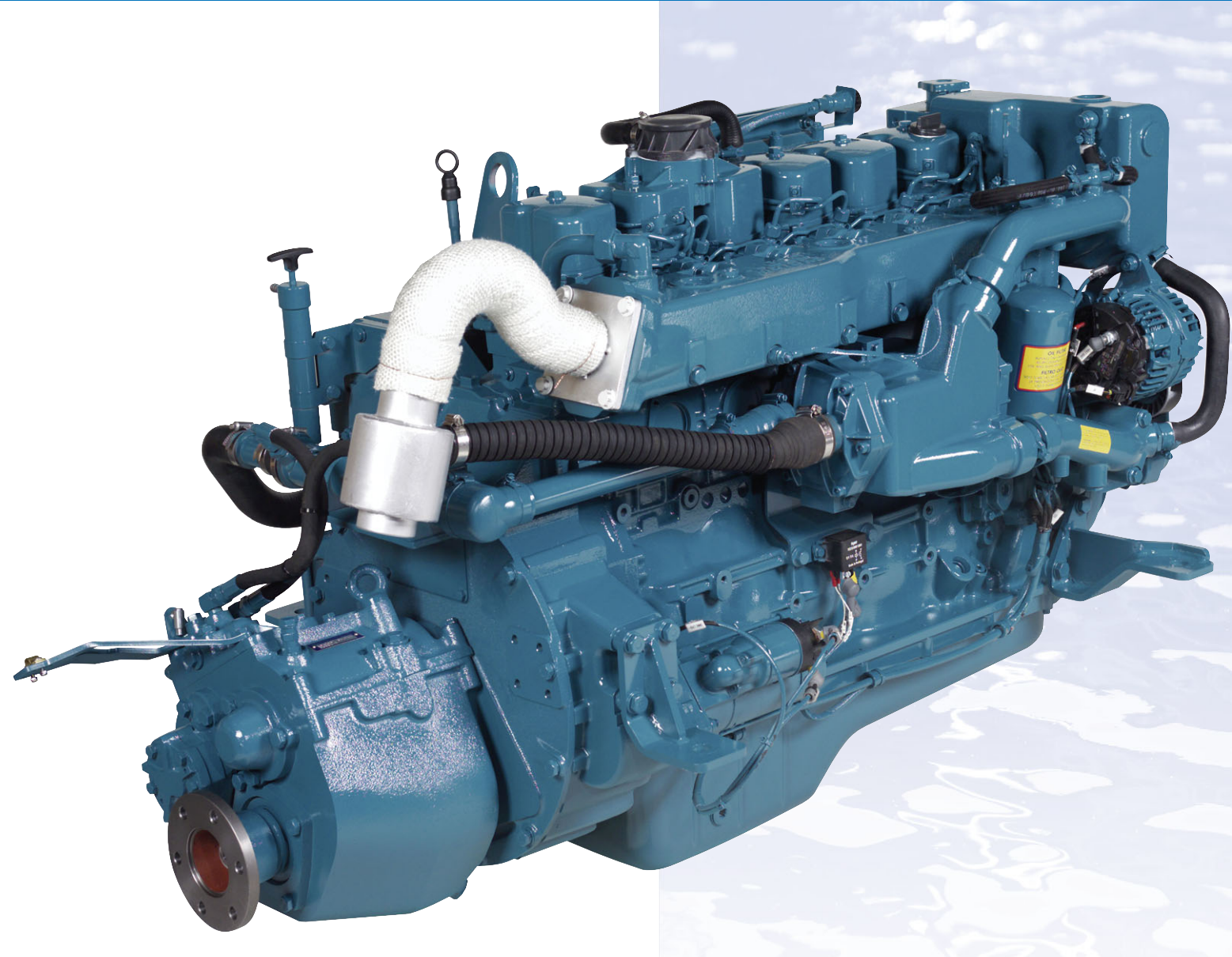


These are typical dimensions: please ask Beta Marine for an accurate drawing if required

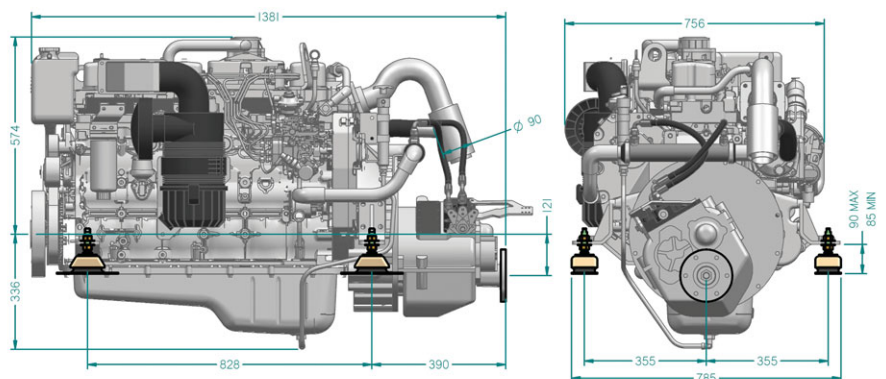
Fuel Consumption
Based on theoretical propeller loading
- matched at full speed

Beta 150

6 Cylinders - 6.7 litre - 147bhp max at 2,800 rev/min - 680Kg



FUEL CONSUMPTION BASED ON THEORETICAL PROPELLER LOADING - MATCHED AT FULL SPEED.



The Beta 150 has been specially developed for commercial Fishing Boats, Launches, Wide Beamers and Dutch Barges. It is a heavy duty - 6 cylinder - naturally aspirated - direct injection - marine propulsion diesel engine. Its outstanding asset is the slow speed / high torque of 440Nm developed at 1400 rev/min from an engine of solid construction that is not only smooth and quiet but also economic with direct injection. This engine is 'Recreational Craft Directive' emission compliant and EPA compliant.

Control Panels



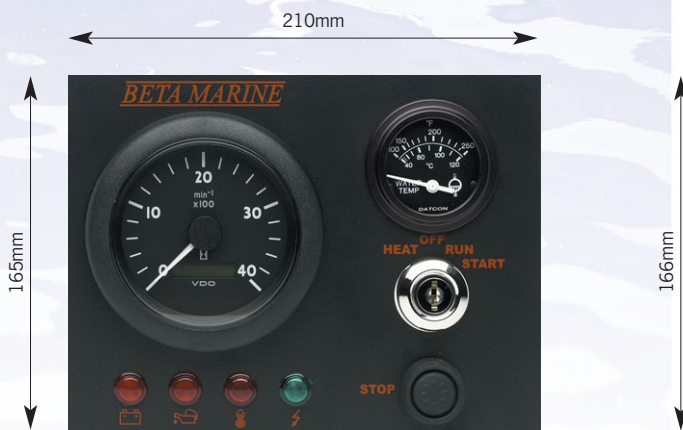
Standard 'ABV' Control Panel

Tachometer with running hour recorder, keystack switch, push button stop, green light for 'power on', red warning lights and audible alarm for: low oil pressure, high water temperature, domestic and engine alternators 'no charge'; 3m interconnection cable with multi pin plug connector.



Optional 'ABVV' Control Panel

Tachometer with running hour recorder, waterproof push buttons for heat/start/stop, green light for 'power on', red warning lights and audible alarm for: low oil pressure, high water temperature, domestic and engine alternators 'no charge'; 3m interconnection cable with multi pin plug connector.



Optional 'B' Control Panel

Tachometer with running hour recorder, water temperature gauge, keystack switch, push button stop, green light for 'power on', red warning lights and audible alarm for: low oil pressure, high water temperature, domestic and engine alternators 'no charge'; 3m interconnection cable with multi pin plug connector.



Optional 'C' Control Panel

Tachometer with running hour recorder, oil pressure and water temperature gauges, voltmeter, keystack switch, push button stop, green light for 'power on', red warning lights and audible alarm for: low oil pressure, high water temperature, domestic and engine alternators 'no charge'; 3m interconnection cable with multi pin plug connector.

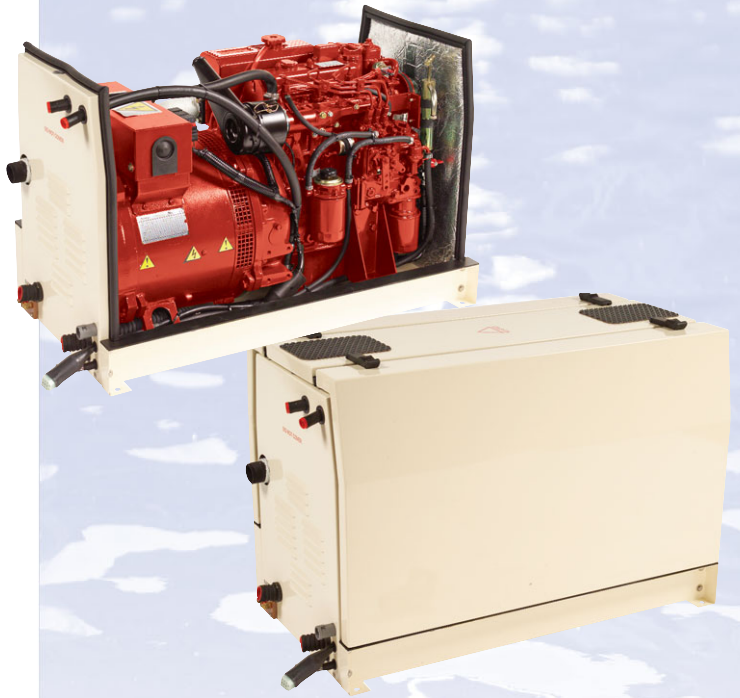
Gensets for Yachts and Workboats

Beta Marine has gained considerable experience over many years manufacturing marine generating sets for yachts and work boats. These small marine generating sets are based on Kubota diesel engines from 3kVA up to 50kVA; available as a standard generating set or acoustically housed.

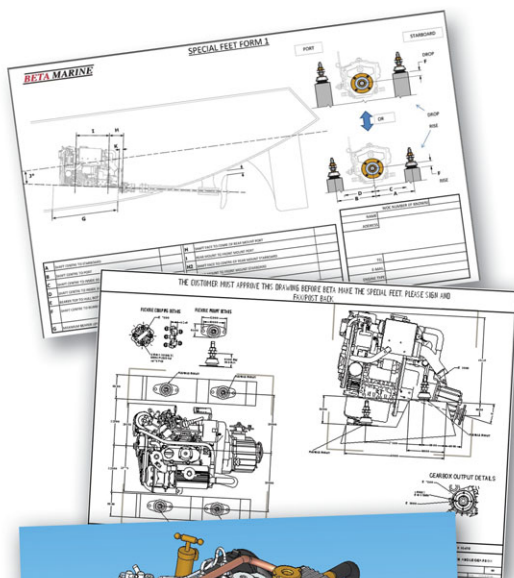
- A Quality robust design - manufactured for reliable and dependable long life operation.
- Low noise levels as standard - Acoustic housings an option
- Heat Exchanger or Keel cooling
- Lloyds Register "Design Appraisal"
- 'Recreational Craft Directive 94/25/EC as amended by 2003/44/EC' emission compliant.
- Generating Set Warranty is 12 months from commissioning in accordance with our standard terms.

Our marine generating sets have high quality Acoustic housings that are carefully designed to have compact dimensions and low weight, with all service connections brought to the outside of the housing - ready for a quick and easy installation.

Beta Marine manufacture Marine generating sets up to 1,000 kVA with classification to Lloyds Register, DNV, Bureau Veritas, Germanischer Lloyd, ABS etc. We welcome your marine enquiries for main, stand-by, emergency sets and other marine auxiliary equipment.



Re-Engining? - Special Feet



Are you replacing an old engine?

Beta engines have been fitted into thousands of yachts around the world with our standard engine feet; but where necessary we also offer our unique service of designing and manufacturing "Special Engine Feet" so that our engine just drops onto your existing engine bearers.

We have made hundreds of "Special Feet" over the years and in many cases can substantially reduce the time and installation costs.

The system works like this: we have a standard drawing where you just fill in the measurements of your existing engine bearers and propeller shaft position; we then prepare a finalised drawing for you to sign-off for us to manufacture your special feet. We then manufacture, fit and paint them so that your engine arrives ready to 'drop in'.

BETA MARINE

The Yachtman's Choice...

- Advanced engineering giving very low emissions
- Compact and quiet - they run like sewing machines
- National and International Dealer support
- Large 70 and 120 amp alternator options
- Special feet option - manufactured to suit your installation
- Heat exchanger cooled



Saildrives

Beta 1450, Beta 1650, Beta 2050,
Beta 2550, Beta 3050, Beta 3550,
Beta 3850, Beta 4350, Beta 5050
& Beta 6050



Beta 10
& Beta 14



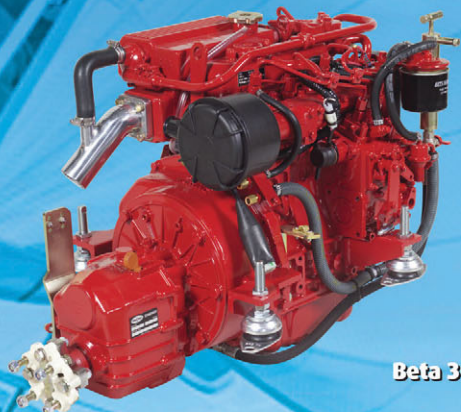
Beta 16



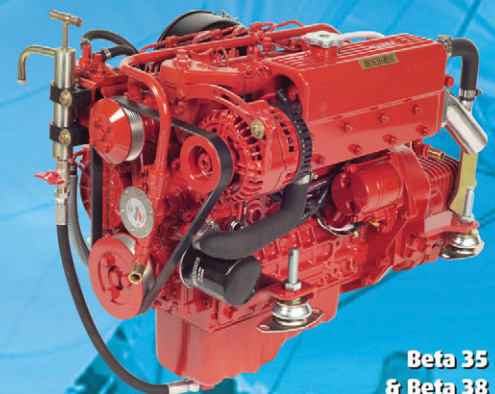
Beta 20



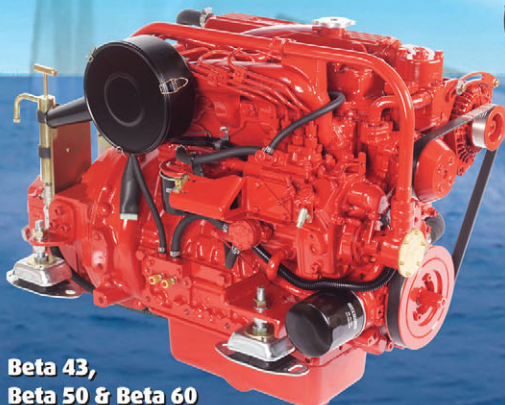
Beta 25



Beta 30



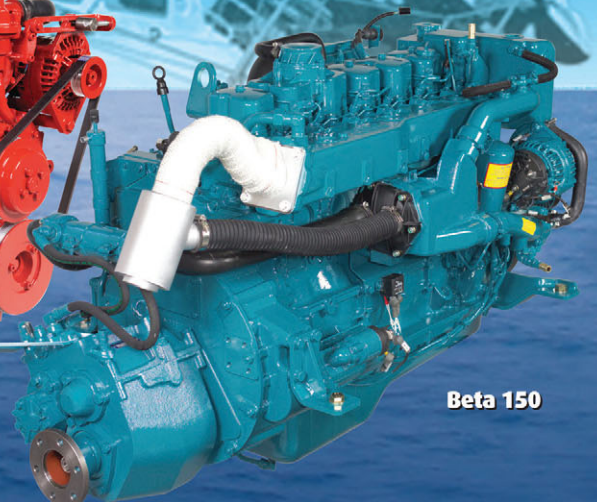
Beta 35
& Beta 38



Beta 43,
Beta 50 & Beta 60



Beta 75,
Beta 90 & Beta 105



Beta 150