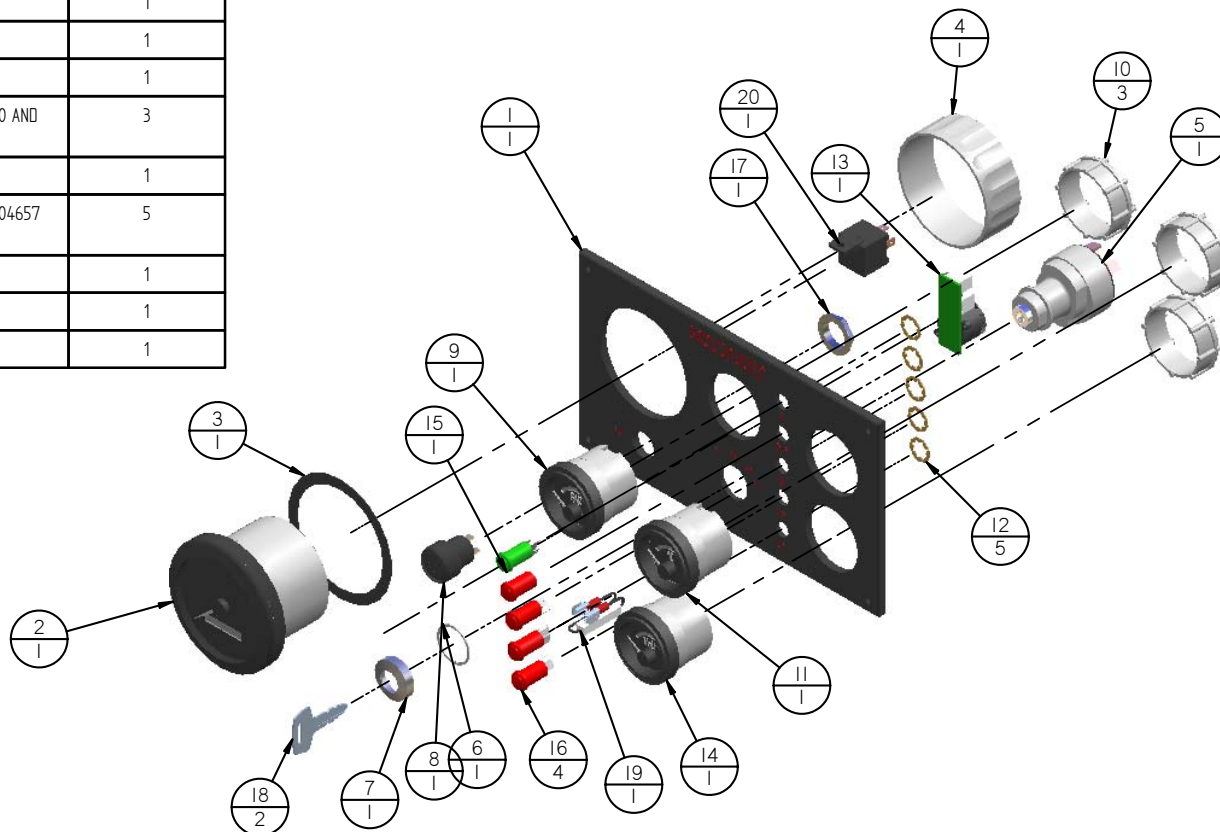


Item Number	Document Number	Title	Quantity
1	200-01293-01	PANEL FACE 2C	1
2	200-02373	VOO TACHO	1
3	N/A	TACHO WASHER (PART OF 200-02373)	1
4	N/A	TACHO NUT (PART OF 200-02373)	1
5	600-00057/01	KEY SWITCH (KIT 75)	1
6	N/A	KEY SWITCH WASHER (PART OF 600-00057)	1
7	N/A	KEY SWITCH BEZEL (PART OF 600-00057)	1
8	200-00072	PUSH BUTTON AND BOOT 197-0850-001	1
9	200-96190	OIL PRESSURE GAUGE	1
10	N/A	GAUGE NUT (PART OF 200-96190, 200-96200 AND 200-96190)	3
11	200-96200	WATER TEMP GAUGE	1
12	N/A	INDICATOR LAMP SPRING CLIP (PART OF 200-04657 AND 200-04656)	5
13	200-04655	ALARM PCB 197-ALARMPCB-2	1
14	200-96210	VOLTMETER GAUGE	1
15	200-04656	GREEN INDICATOR LAMP C0180AA/GREEN/12V	1

Item Number	Document Number	Title	Quantity
16	200-04657	RED INDICATOR LAMP C0180AA/RED/12V	4
17	N/A	PUSH BUTTON NUT (PART OF 200-00072)	1
18	600-00058/01	KUBOTA KEY	2
19	200-04583/5W	RESISTOR, CERAMIC 5W 47R	1
20	200-87020	28RA 12V 40AMP RELAY	1



REV	DESCRIPTION	DATE	APP'D	DRAWN	NOTES
01					

NOTES

DIMENSIONS IN MM (INCH)
DO NOT SCALE

MATL:

BETA MARINE

BETA MARINE LTD.
DAVY WAY,
WATERWELLS,
QUEDGELEY, GLOUCESTER,
GL2 2AD, U.K.

TITLE

C PANEL

DRAWN BY: TW
CHECKED BY: LT

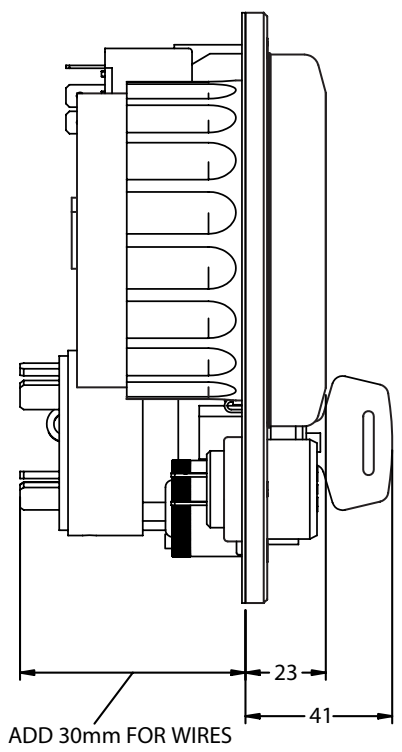
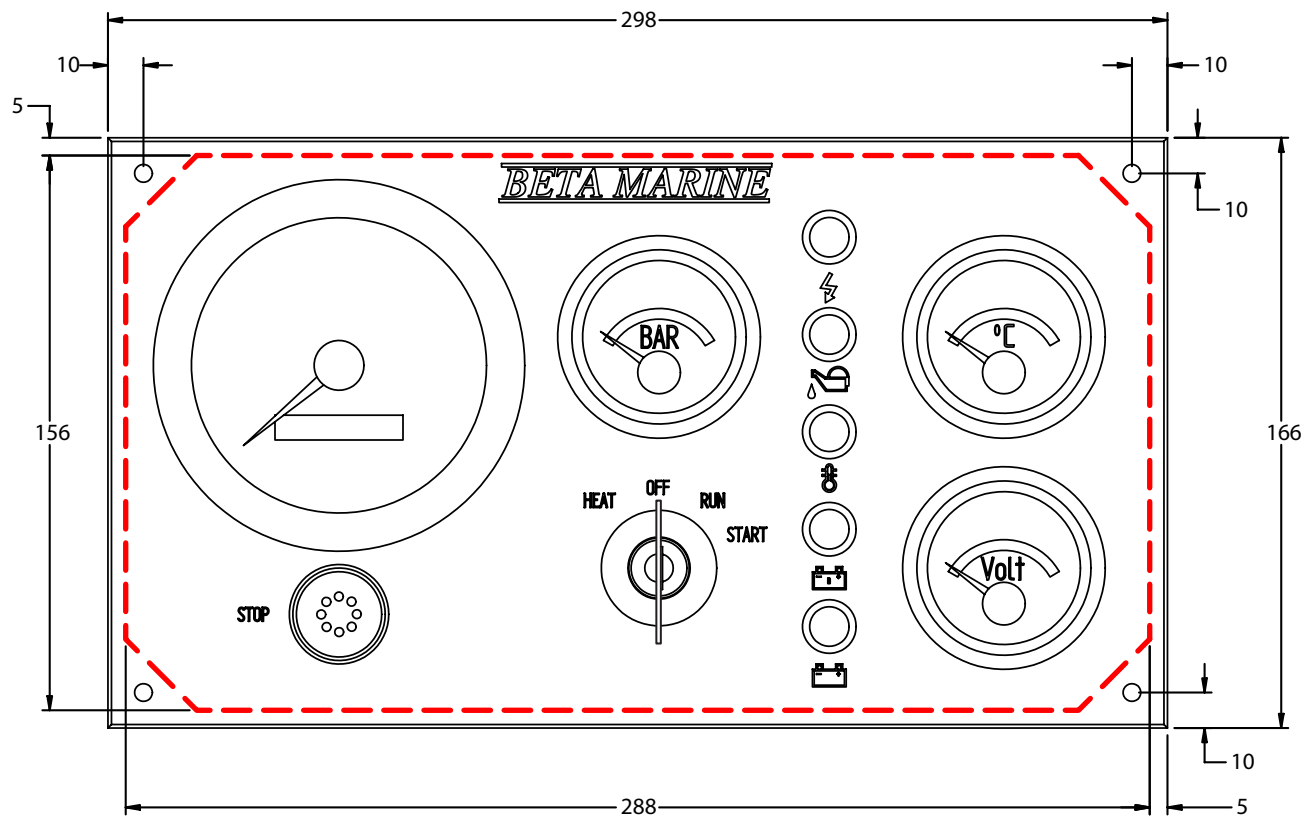
SIZE A4
SCALE NTS

DWG NO. **200-06306**

PAGE 1 of 2

DATE 05/10/2007

REV **01**



REV	DESCRIPTION	DATE	APP'D	DRAWN	NOTES
01	CHANGED KEY SWITCH		05/09/08	LT	TW

TITLE: C PANEL

DIMENSIONS IN MM (INCH)
DO NOT SCALE

BETA MARINE

BETA MARINE LTD,
DAVY WAY,
WATERWELLS,
QUEDGELEY, GLOUCESTER,
GL2 2AD, U.K.

TEL: (01453) 835282 FAX: (01453) 835284

DRAWN BY:- TW
CHECKED BY:- LT

SIZE A4
SCALE NTS

DWG NO. 200-06306
PAGE 2 of 2

REV 01
DATE 05/10/2007